

SPECIFICATION

R&D



..... 3

..... 3

..... 3

..... 3

..... 4

..... 4

..... 6

..... 10

..... 11

..... 11

..... 11

..... 12

..... 12

..... 12

..... 13

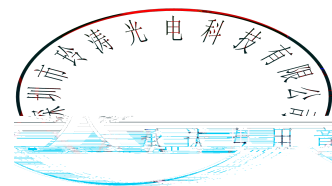
..... 14

..... 15

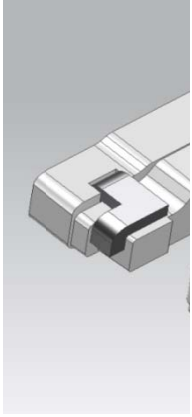
..... 15

..... 17

..... 17



1.1 General Descriptio

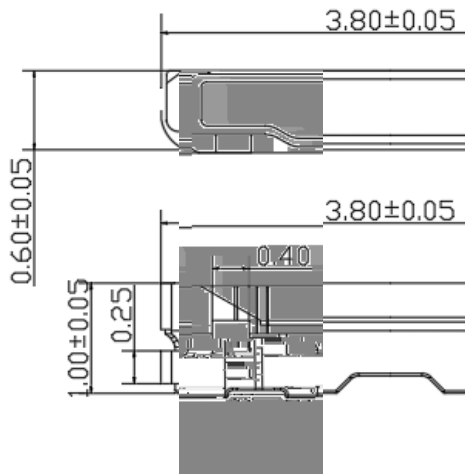


3. 80mm
LED,

1.2 Features

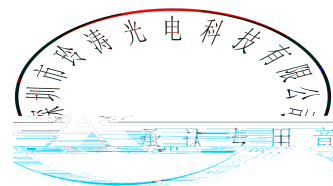
1.3 Applica

1.4 Package Dimension

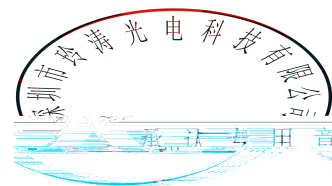
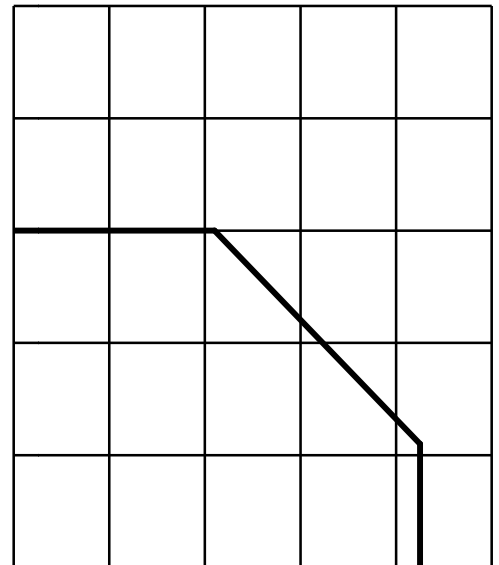
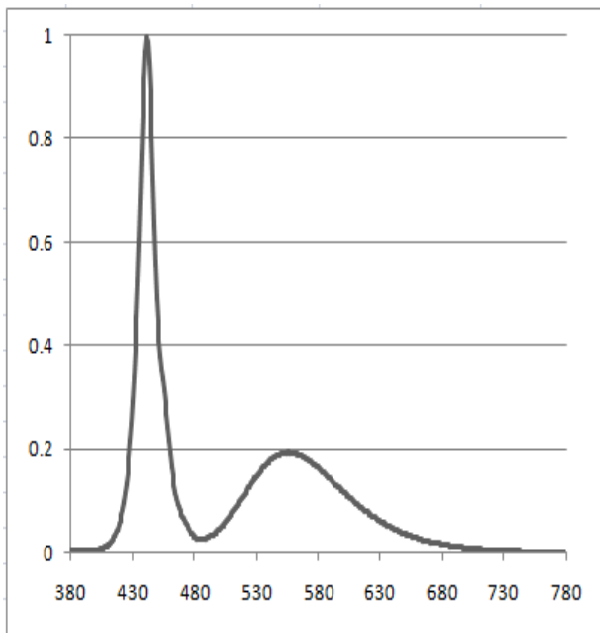
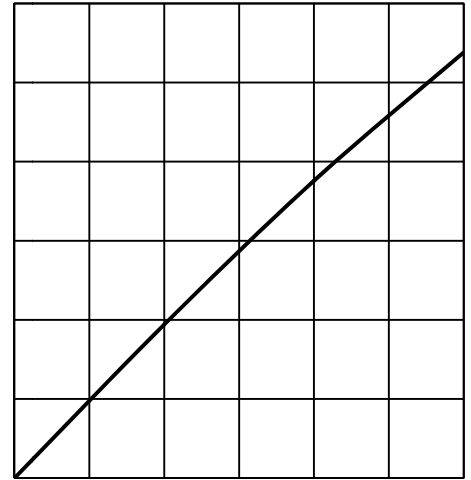
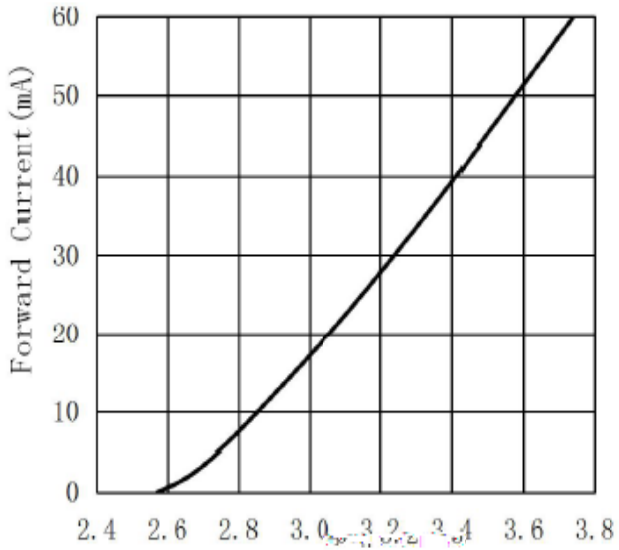


- 1.
- 2.

1.5 Product Parameters

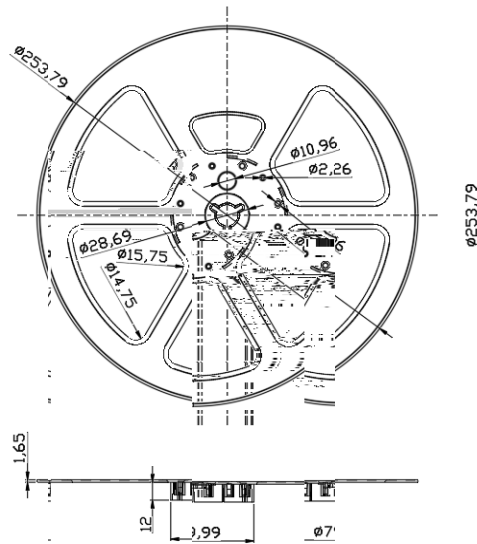
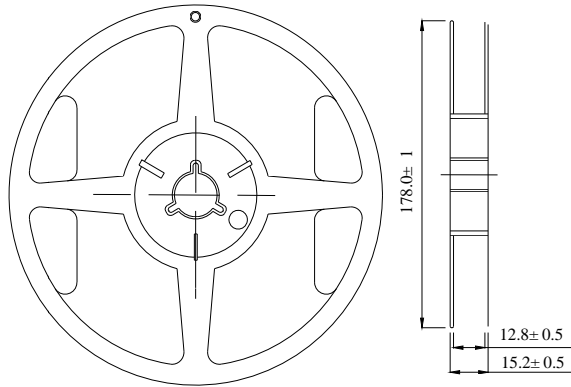


1.7 Typical Optical Characteristics Curves



2. Packaging

2.1 Packaging Specification



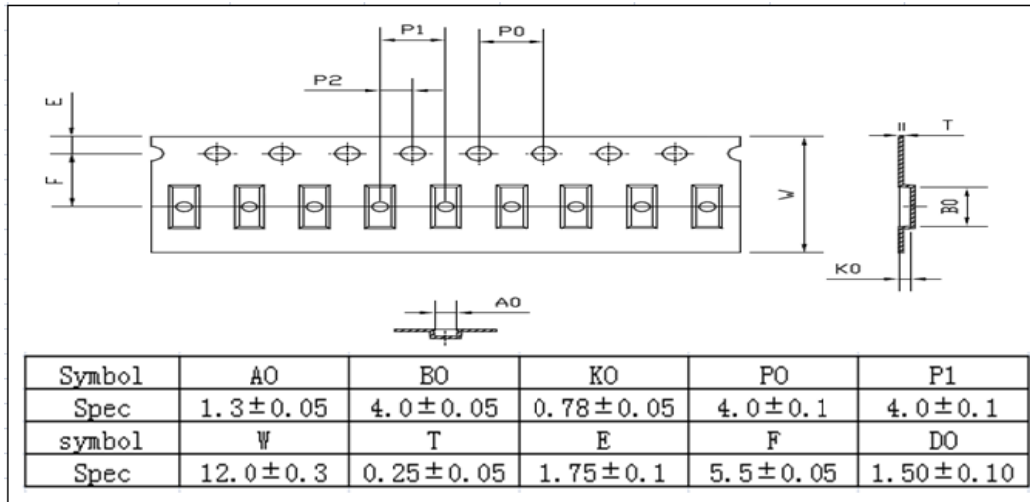


Fig.2-1 Carrier Tape Dimension

± 2.0



2.2 Moisture Resistant Packing

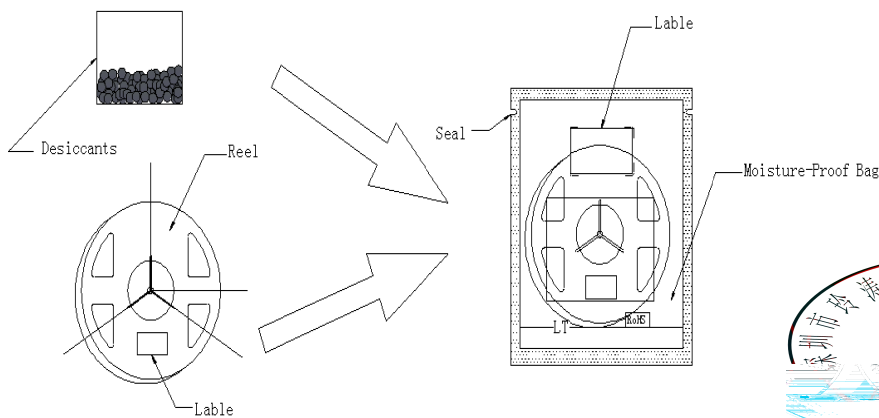
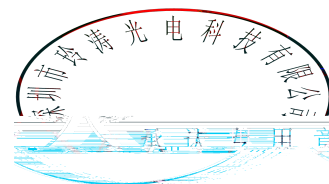


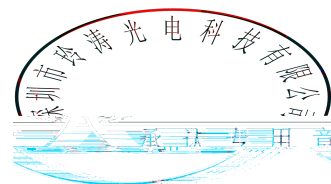
Fig.2-4 Moisture Resistant Packing



2.5 Criteria For Judging Damage

LED

/ LED



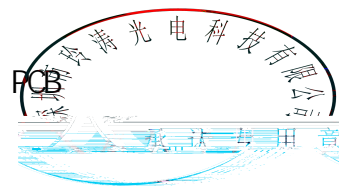
24 LED

300

3

LED

LED



4.1 Handling Preca

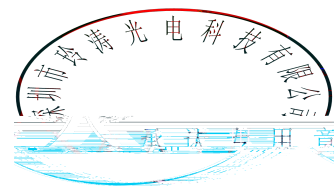
LED

LED

LED

LED

LED



		±	

±

60± 5

24

LI
